

---

---

**LCDC Board  
with Command-driven  
LCD Controller IC**

# LCDC350C-01

TFT LCD LMTM035QVGNCB Series with 3.5" QVGA 320x240 Touch  
Panel (manufactured by DENSITRON)

## Instruction Manual

April 2015 First Edition  
(Japanese version)

June 2015 First Edition  
(English version)

---

---

# Table of Contents

## ■ Safety Precautions

- Safety Precautions . . . . . P3
- Installation and Software Design Precautions . . . . . P5
- Warranty and Disclaimer . . . . . P7

## ■ Overview and Features of Product

- 1. List of Accessories . . . . . P8
- 2. List of option accessory . . . . . P8
- 3. Name and Function for the  
Circuit Board Connectors . . . . . P8
- 4. Intended Purpose of Product . . . . . P9
- 5. Main Features . . . . . P10

## ■ Basic Specifications

- 1. Electrical Specifications . . . . . P11
- 2. Specifications for Short Pins and Switches, etc.  
. . . . . P12
- 3. CN1 Signal Table . . . . . P13
- 4. CN2 Signal Table . . . . . P13
- 5. CN3 Signal Table . . . . . P14
- 6. Selection and Preparation of Peripheral Parts . . . . . P14
- 7. Technical Documentation about . . . . . P15
- 8. Dimensional Drawing of the board . . . . . P15

---

---

## ■ Safety Precautions

In order to prevent physical harm and property damage to those using and/or installing this circuit board device (the “Product”), the manual describes below the necessary safety precautions.

The severity of harm and damage caused by incorrect usage or installation stemming from ignoring the directions herein are indicated by the following symbols and warnings.



**Danger**

This symbol indicates that the possibility of death or serious injury is imminent.



**Warning**

This symbol indicates that death or serious injury is possible.



**Caution**

This symbol indicates that minor injury or damage to only property is possible.

- The types of necessary precautions are classified according to the following symbols.

(The symbols below are an example)



This symbol indicates "Prohibited" actions.



This symbol indicates "Mandatory" actions.



# Danger



Do not breathe in or swallow the liquid crystal if the LCD is damaged and leaking. If the liquid crystal is sticking to your hands or clothes, wipe with alcohol etc., and wash thoroughly with water.



# Warning



Always use a rated power supply device as per this manual.  
Other devices may cause burnout and fire.



When installing, select a well-ventilated and dry area with no risk of water spillage. Otherwise, electrocution, electrical leakage, burnout, or fires may result.

---

---

## ■ Installation and Software Design Precautions

This section covers the precautions when installing the Product (LCDC350C-01 and accompanying LCD panel and touch panel)

### Installing the LCD and the PCB

---

- In order to protect the polarization plate and LCD, place the guard plate on the panel whenever possible.
- Avoid applying external pressure on the LSI when installing.
- Be careful not to warp or contort the LCD panel and PCB.
- When designing your product, assure that the size of the window frame is within the effective display area.
- When using a frame beyond the effective display area for the external appearance of your product, any non-uniform appearance of the product is beyond the scope of the warranty.
- It is possible that there is a burr on the frame edge of the LCD module.  
When designing your product, be careful of any contact with cables so as to prevent damage to the cable insulation.

### Static Electricity Precautions

---

- As CMOS-IC is used in the device, take proper measures to deal with static electricity when handling.
- Consider grounding for workers handling the device. For example, the use of an anti-static wrist strap/mat is recommended.

### Handling Precautions

---

- Avoid placing in areas with high humidity for long periods of time. Be particularly careful of high humidity when the temperature is over 40 degrees Celsius.
- As the LCD polarization plate is easily damaged, be careful when handling. Avoid contact with hard objects.
- When cleaning the LCD surface, wipe lightly with a soft cloth (chamois leather, absorbent cotton etc.) and a drop of petroleum benzene.
- When saliva or a drop of water remains on the LCD polarization plate for a long

---

---

time, deformation, discoloration, staining, or fading may occur. Wipe away quickly.

- As the LCD contains glass, chipping and cracking can occur when dropped or hit with a hard object.
- When testing, avoid condensation in the device in order to avoid staining of the polarization plate.

## Operating Precautions

---

- Use of the Product in non-intended, off-specification conditions can cause a decrease in lifespan and a deterioration of visual quality. Always use within specifications.
- Use of the Product in conditions below the rated temperature can cause deterioration of visual quality and/or the formation of air bubbles. Use of the Product in non-intended, off-specification temperatures, can lead to an irreversible change in LCD characteristics. Always use within specifications.
- When the display is subjected to a strong push, a warning light comes on. However, it will return back to normal when left for a while, or if it is rebooted.
- D.C. application causes deterioration of the LCD. Be particularly careful with the connection of the CN3 (interface connector to the LCD), to make sure the contact is complete and not partial.

## Storage Precautions

---

- Store the LCD in a cool, dry place. When keeping the LCD in long-term storage, place in a dark area away from sunlight and fluorescent lighting.
- When storing the LCD and PCB individually, make sure the polarization plate or LSI does not come in contact with other objects.

---

---

## ■ Warranty and Disclaimer

### Warranty

---

- From a manufacturing standpoint, in order to warrant the functionality and reliability of the Product, Kenic System (the “Company”) may issue a delivery specification to the purchaser of the Product (the “Customer”). The warranty covers the items outlined in the delivery specification.
- Any modifications to the Product by the Customer will not be covered by the warranty.

### Disclaimer

---

The Customer agrees that the Company shall not be held liable for accidents and damages caused by the Product under the following circumstances.

- Use of the Product in conditions not specified in this instruction manual (the “Manual”).
- Breakdown or damage to the Product caused by third-party products not approved and provided by the Company.
- Maintenance and repair work using parts not approved by the Company.
- The Customer did not follow the precautions or operating instructions as set forth in the Manual.
- Use of the Product in situations where the power source, installation environment, and other conditions are beyond the specifications as outlined in the Manual.
- Accidents and damages caused by natural disasters such as fires, earthquakes, floods, and lightning storms.

※Component specifications and external appearance may change without notice. However, if previously agreed to installation dimensions and electrical interface need to be changed due to unforeseen circumstances, the Company will contact the Customer to resolve the issue.

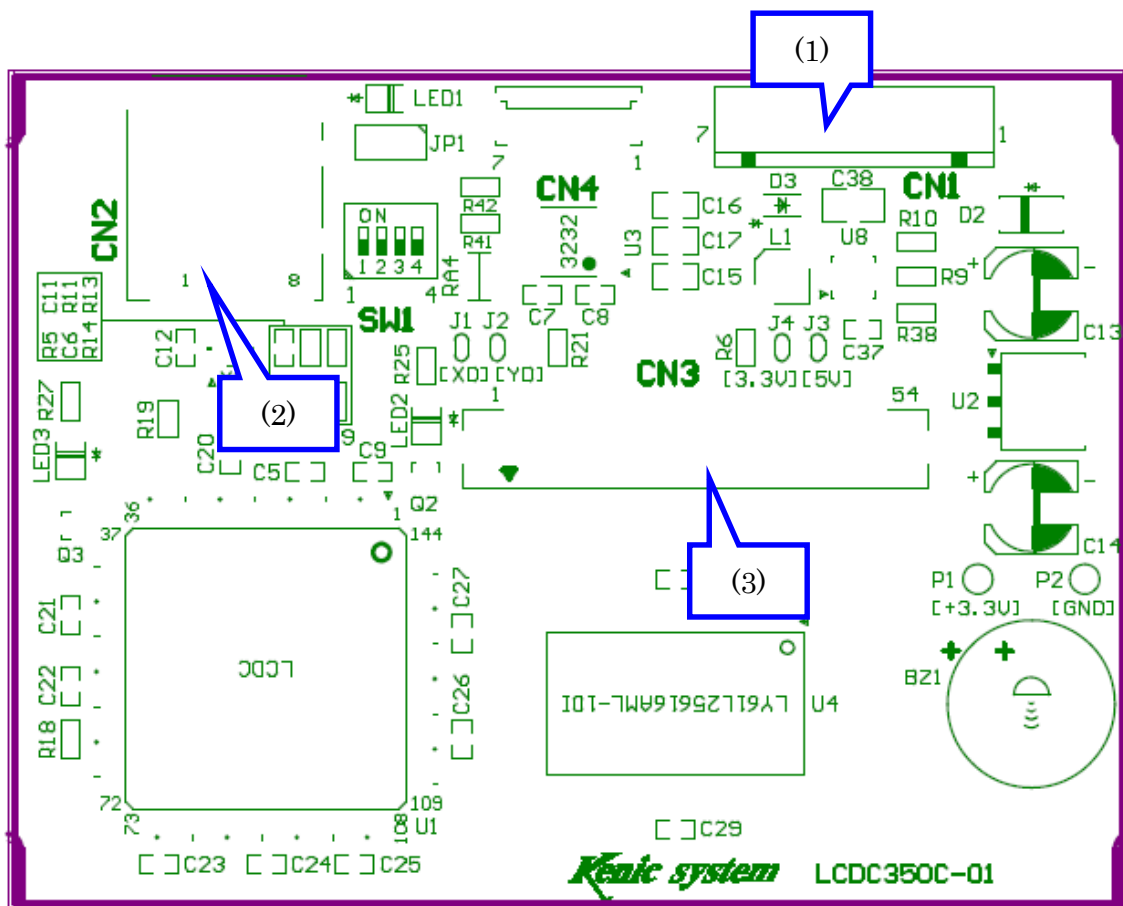
## ■ Overview and Features of the Product

### 1. List of Accessories (Nothing)

### 2. List of Option Accessories

For more information, please check our homepage.

### 3. Name and Function for the Circuit Board Connectors



(1) CN1: Connector for RS-232C and +5V power supply.

(2) CN2: Connector for microSD card.

(3) CN3: Connector for TFT LCD (QVGA).

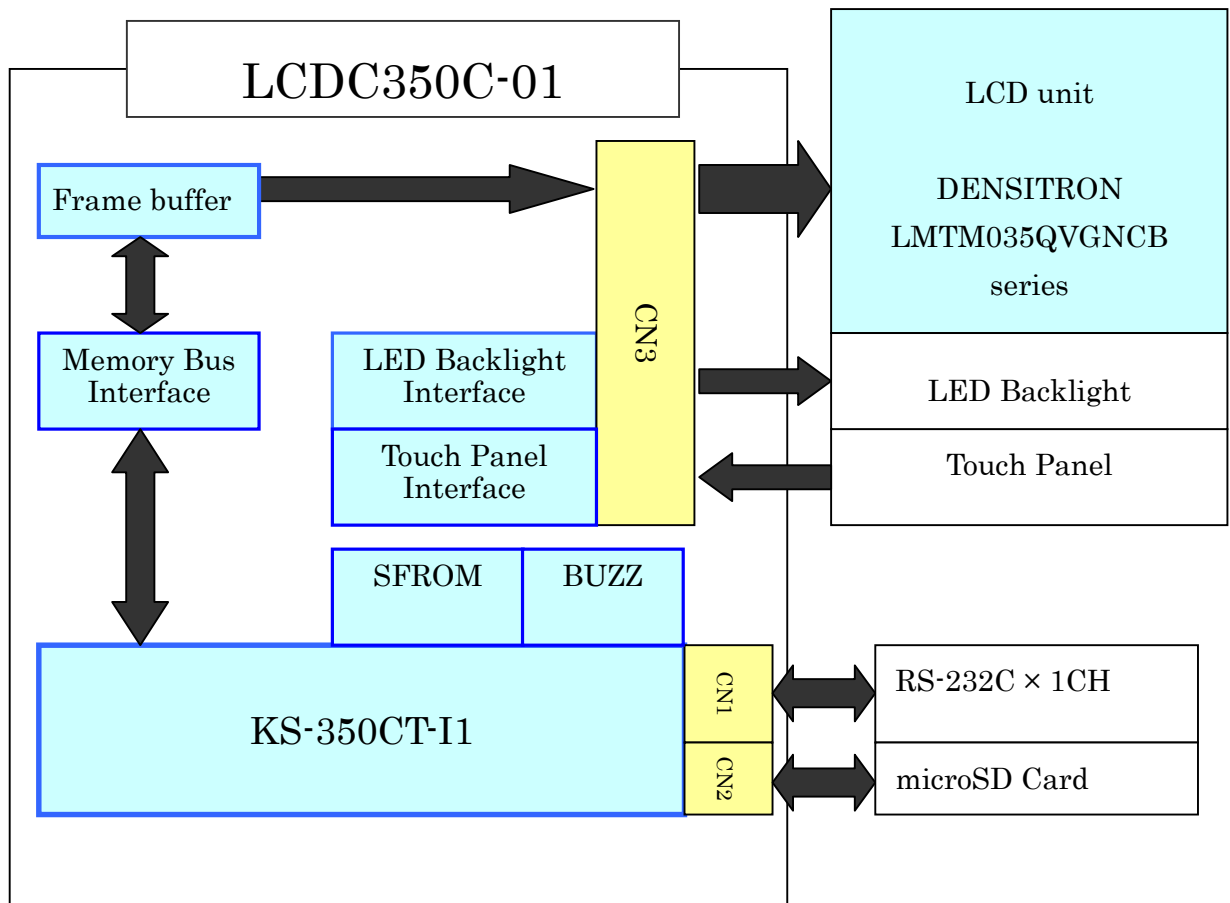


---

#### 4. Intended Purpose of Product

The LCDC350C-01 is a controller board for the “LMTM035QVGNCB series” TFT color LCD display module manufactured by DENSITRON.

Please refer to the following block diagram.



---

## 5. Main Features

- The LCDC board includes the command-driven LCD Controller KS-350CT-I1.
- One RS-232C line is included as standard equipment.
- The board allows one to drive (drawing of dots, straight lines, and rectangles) only with RS-232C commands.
- The board allows one to draw a bitmap image on the maximum size of 8,192 bit screen, with microSD card.
- The board includes a low power consumption function.
- 65,000 colors can be displayed per pixel.
- Touch position data from the touch panel can be directly read out as 10-bit data.
- The 16-dot font data is included in the LCD Controller.
- The 24-dot font data is written in the serial flash memory.
- Compact and lightweight, the Product dimensions are 80mm×60mm (not including protruding cables).

---

---

## ■ Basic Specifications

### 1. Electrical Specifications

#### ———— LCDC Section ————

- Intended LCD module LMTM035QVGNCB series (DENSITRON)
- Intended touch panel The above LCD is included as standard equipment.
- Intended LCD controller KS-430CT-I1 (Kenic system)
- Intended backlight inverter As LED is used, it is unnecessary.
- Frame buffer Three page
- Color representation 65,000 colors
- SRAM (Frame buffer) LY61L25616AML-10I (Lyontek) etc.
- Serial-Flash-ROM M25P64-VMF6P (Micron Technology)
- Chinese character fonts JIS level-1, JIS level-2  
(16 dot font, 24 dot font)
- RS-232C 1CH already mounted.

#### ———— Others ————

- Power supply Specifications
  - 5V single supply 1.0A MAX
  - Rated voltage of CPU board 5.0V±0.4V
  - Consumption current of CPU board  
130mA (Normal condition)
  - Consumption current of CPU board  
15mA (Low power consumption condition)
  - (Not including LCD and micro SD)
- Operating environment -20°C ~ 70°C
- External dimensions and weight 80×60×15mm  
(not including protruding cables)  
About 25.2g

---

## 2. Specifications for short pins, switches, etc.

(1) J1 [XD] For switching the X axis data of the touch panel.

When short, the X axis data of the touch panel is reversed.

(2) J2 [YD] For switching the Y axis data of the touch panel.

When short, the Y axis data of the touch panel is reversed.

(3) J3 [5V] Power supply setting for LED backlight circuit.

When short, the power supply of the LED backlight circuit is 5V.

Caution) As the factory default setting is already short, it is unnecessary for the Customer to short it.

Caution) Do not short J3 and J4 at the same time.

(4) J4 [3.3V] Power supply setting for LED backlight circuit.

When short, the power supply of the LED backlight circuit is 3.3 V.

Caution) When using, disengage J3 before shorting J4.

Caution) Do not short J3 and J4 at the same time.

(5) SW1 For setting the RS232C baud rates of 4-bit Dip switch

Number of SW1		No.2	No.1
Baud Rates(bps)	9600	ON	ON
	19200	ON	OFF
	38400	OFF	ON
	115200 (Factory default)	OFF	OFF

Use switches under conditions that the No.3 and No.4 switches are OFF, because they are not used.

---

### 3. CN1 Signal Table for RS-232C Connector

Pin number	Name of signal	Function
1	VCC	Power supply pin +5V
2	NC	
3	TxD	RS-232C sending
4	RTS#	RS-232C sending request
5	RxD	RS-232C receiving
6	GND	RS-232C signal ground
7	GND	Power supply pin GND pin

Connector used: B7B-XH-A (LF) (SN) (JST Mfg. Co., Ltd.)

Compatible connector: XHP-7 (JST Mfg. Co., Ltd.)

### 4. CN2 Signal Table for Micro SD Connector

Pin number	Name of signal	Function
1	NC	Pull-up only
2	MSDC-CS	Chip select signal
3	MSDC-DI	Data input signal
4	VDD	+3.3V power supply pin
5	MSDC-CLK	Clock signal
6	GND	GND pin
7	MSDC-DO	Data output signal
8	NC	Pull-up only
9	MSDC-CD ET	Insert detection signal
10	GND	GND pin

Connector used: DM3AT-SF-PEJM5 (HIROSE)

---

## 5. CN3 Signal Table for LCD Connector

Pin number	Name of signal	Function	Pin number	Name of signal	Function
1	LED K	LED backlight cathode	28	R0	Red data signal (LSB)
2	LED K	LED backlight cathode	29	R1	Red data signal
3	LED A	LED backlight anode	30	R2	Red data signal
4	LED A	LED backlight anode	31	R3	Red data signal
5	N.C	No connection	32	R4	Red data signal
6	N.C	No connection	33	R5	Red data signal
7	N.C	No connection	34	R6	Red data signal
8	/RESET	Reset signal	35	R7	Red data signal (MSB)
9	N.C	No connection	36	HSYNC	HSYNC signal
10	N.C	No connection	37	VSYNC	VSYNC signal
11	N.C	No connection	38	DCLK	Dot Clock signal
12	B0	Blue data signal (LSB)	39	N.C	No connection
13	B1	Blue data signal	40	N.C	No connection
14	B2	Blue data signal	41	VCC	Power input (+3.3V)
15	B3	Blue data signal	42	VCC	Power input (+3.3V)
16	B4	Blue data signal	43	N.C	No connection
17	B5	Blue data signal	44	N.C	No connection
18	B6	Blue data signal	45	YU	Touch panel signal YU
19	B7	Blue data signal (MSB)	46	XR	Touch panel signal XR
20	G0	Green data signal (LSB)	47	YL	Touch panel signal YL
21	G1	Green data signal	48	XL	Touch panel signal XL
22	G2	Green data signal	49	N.C	No connection
23	G3	Green data signal	50	N.C	No connection
24	G4	Green data signal	51	N.C	No connection
25	G5	Green data signal	52	N.C	No connection
26	G6	Green data signal	53	VSS	GND pin
27	G7	Green data signal (MSB)	54	VSS	GND pin

Connector used: 04-6240-054-005-800+ (Kyocera ELCO)

## 6. Selection and Preparation of Peripheral Parts

### (1) Selection of the main power supply device

Power-supply voltage: 5V±0.4V

Consumption current: 1.0A MAX

Boot speed: within 300mS

Ripple noise: within 150mV

### (2) Connection of each unit

Refer to the starter kit manual for connecting each of the units.

Use only the minimum length necessary for cables. Unnecessarily long cables may cause a decrease in transmission speeds and/or introduce noise.

### (3) Powering on the Product

Before powering on, carefully check all connections first. Loose connections may cause damage to parts.

## 7. Technical Documentation about the Product

Technical information about the Product is continually updated and posted on the Kenic system website. Please feel free to browse at the URL below.

<http://www.kenic.co.jp/w/>

## 8. Dimensional Drawing of the Board

